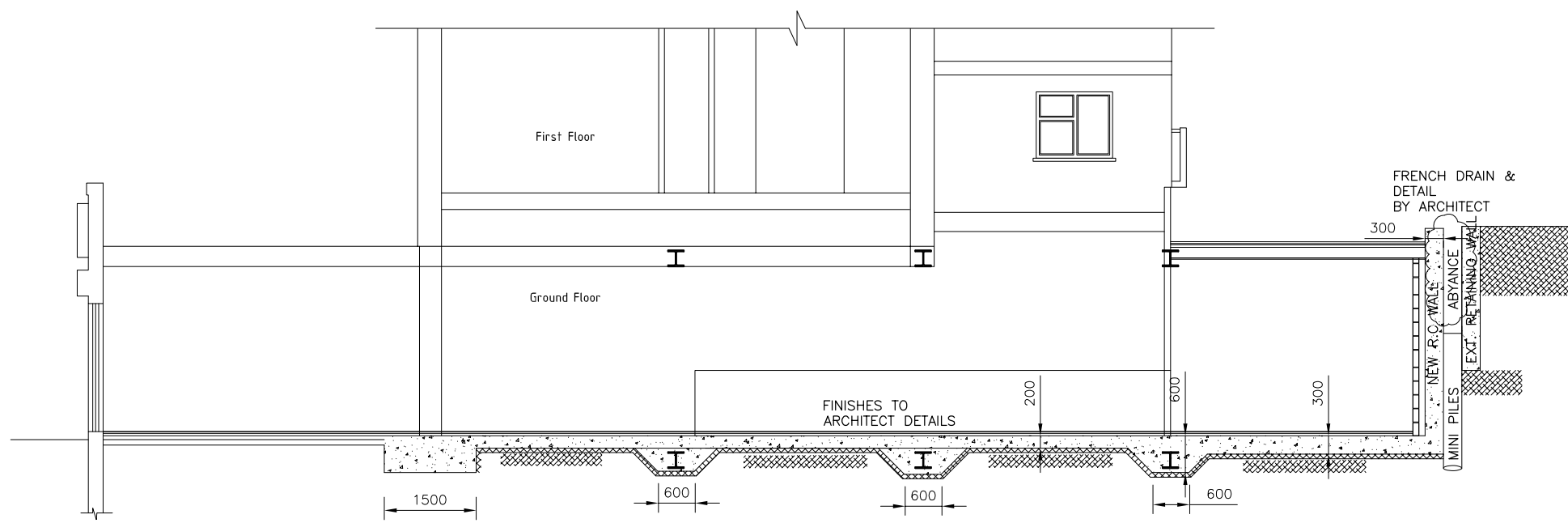


PROPOSED GROUND FLOOR PLAN
SHOWING FOUNDATIONS / MINI PILING
SCALE 1:100



PROPOSED SECTION A-A
SHOWING GROUND FLOOR
SCALE 1:100

- ISSUED FOR APPROVAL 11.04.17 N.K

| Revision | Date | Initial |
|---------------|------------------------------------------------------|----------|
| Status | | |
| PRELIMINARY | | |
| Project | WANDSWORTH ROAD LONDON SW8 3JD | |
| Client | MR | |
| Drawing Title | GROUND FLOOR PLAN AND SECTION SHOWING FOUNDATIONS | |
| Date | Scale | Drawn by |
| APRIL 2017 | AS SHOWN AT A3 | N.K |
| Project No | Drawing No | Revision |
| SH170203 | 01 | - |

| | | |
|---------------------------------------------------------------------------------------|------------------------------------------------------------------------------------------------------------------------------|--------------------------------------------------------------------------------------------------------------------------|
|  | HEAD OFFICE ALEXANDER HOUSE 40A WILBURY WAY HITCHIN SG4 0AP Ph. 01462 510102 info@surreyhillseng.co.uk | LONDON OFFICE 10 CONSTANCE STREET LONDON E16 2DQ Ph. 0203 488 2363 visit: www.surreyhillseng.co.uk |
|---------------------------------------------------------------------------------------|------------------------------------------------------------------------------------------------------------------------------|--------------------------------------------------------------------------------------------------------------------------|

1. ƆO WΔΔΔ 500MM W 50MM 00V7Ɔ 5O 7ΔO78.
2. 12@200 O O 8 7M 5ΔƆ8 5O 7ΔO78 5O DƆ7O OM8.
3. O 5ΔƆ 12@200 O O.
4. ƆO 5Δ87 500MM W 50MM OƆ 00V7Ɔ & 75MM 5O OM 00V7Ɔ.
5. 12@200 O O OƆ & 5O OM 5O DƆ7O OM.
6. 8 ΔƆ 7Ɔ 5ΔƆ 12@200 O O.
7. 00MƆO8 7 5Δ87 600MM O 8 77Δ 57ΔM ƆOUMD7D W Δ142 M78 .
8. 200 . ƆO 8ΔΔ5.
9. Δ595 M78 OƆ & 5O OM.
10. 5Δ MD MG 50MM.

ƆƆOƆO87D Ɔ7 Δ M MG 8 ƆO O ƆƆ7
 87O OM Δ Δ
 80ΔΔ7 1:25

- ISSUED FOR APPROVAL 11.04.17 N.K
 Revision Date Initial

Status
PRELIMINARY

Project
 WANDSWORTH ROAD
 LONDON SW8 3JD

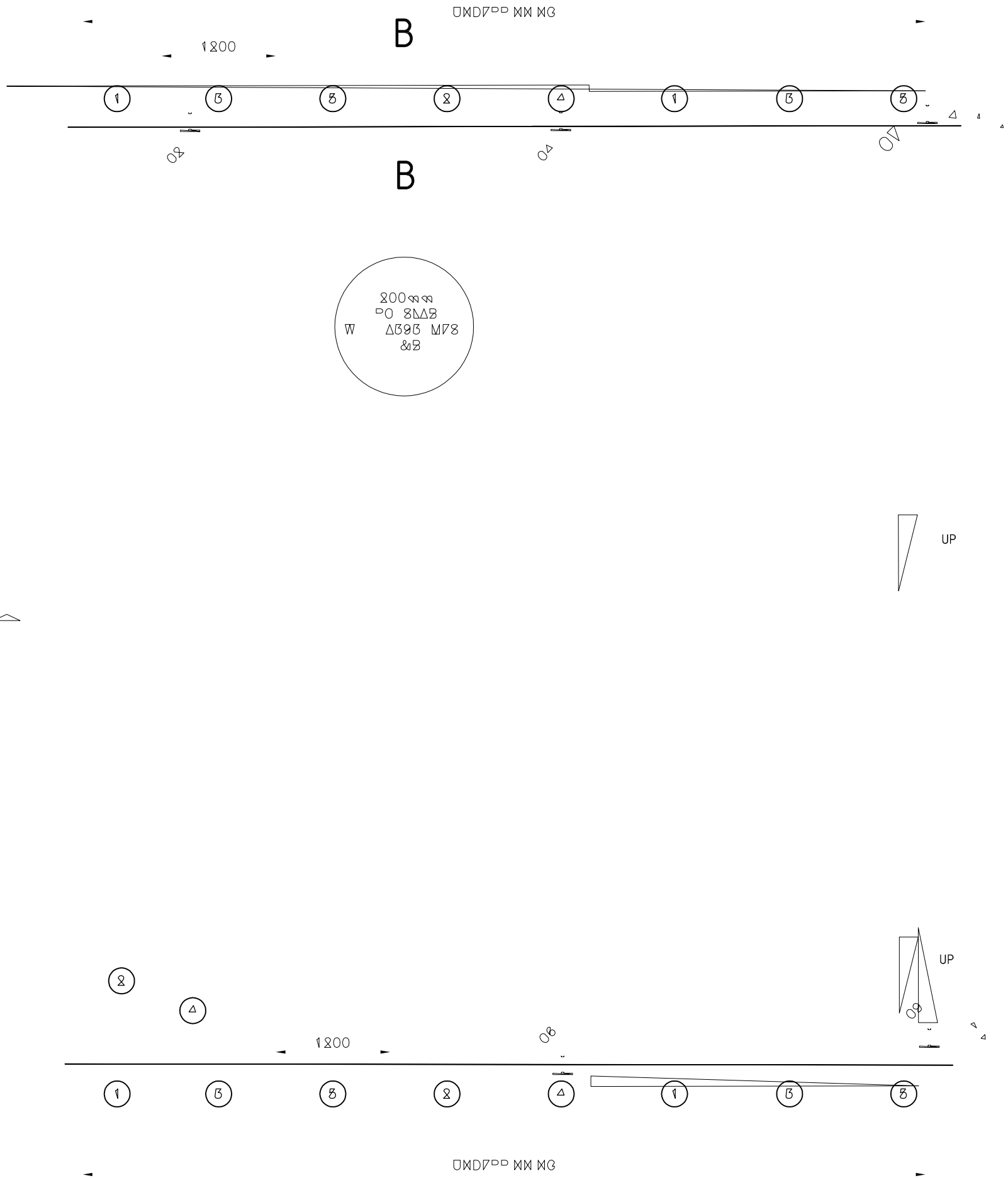
Client
 MR [REDACTED]

Drawing Title
RETAINING WALL DETAIL

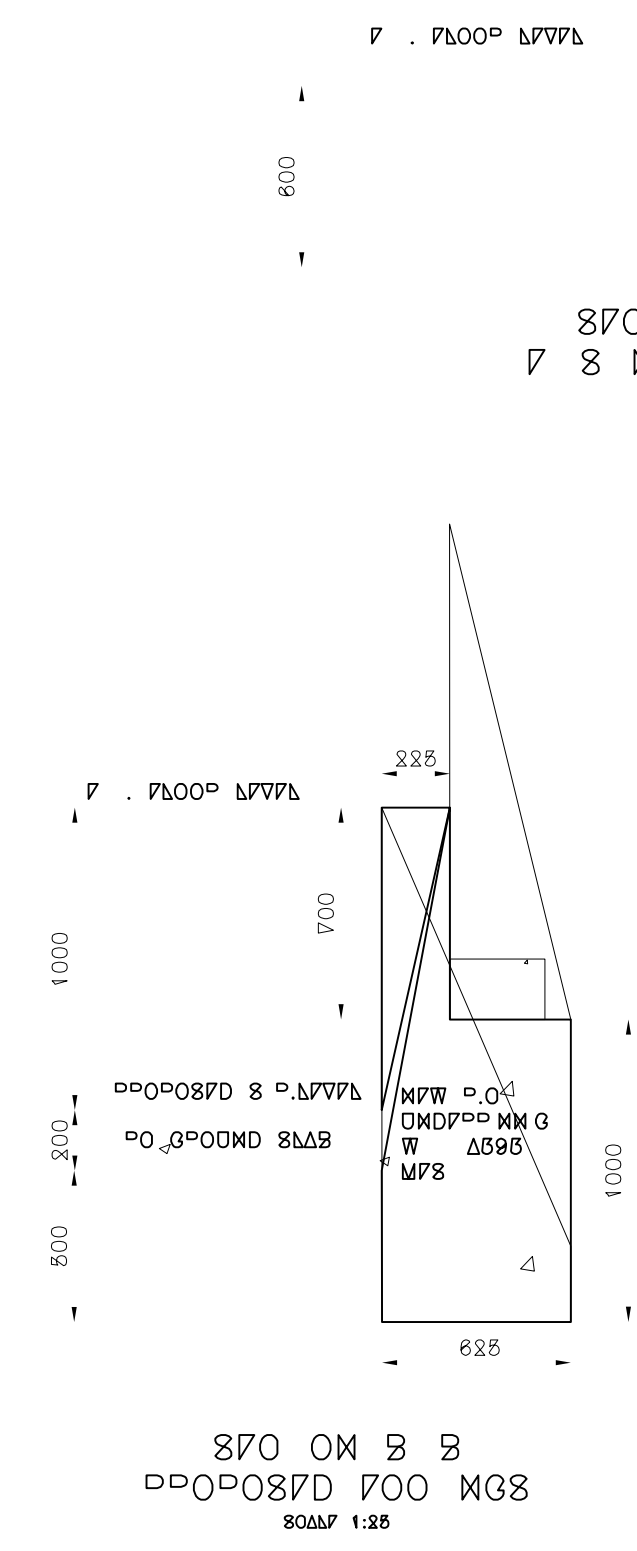
Date APRIL 2017 Scale AS SHOWN AT A3 Drawn by N.K
 Project No SH170203 Drawing No 02 Revision -

SURREY HILLS CONSULTING ENGINEERS LIMITED

| | |
|-------------------------------------------------------------------------------------------------------------------------------|---------------------------------------------------------------------------------------------------------------------------|
| HEAD OFFICE ALEXANDER HOUSE 40A WILBURY WAY HITCHIN SG4 0AP Ph. 01462 510102 info@surreyhillsseng.co.uk | LONDON OFFICE 10 CONSTANCE STREET LONDON E16 2DQ Ph. 0203 488 2363 visit: www.surreyhillsseng.co.uk |
|-------------------------------------------------------------------------------------------------------------------------------|---------------------------------------------------------------------------------------------------------------------------|



0MD700 MM MG
0000087D 0000087D 0000087D 0000087D 0000087D 0000087D 0000087D 0000087D
8 00 MG 00MD700 MM MG
80ΔΔ7 1:50



870 0M 3 3
7 8 MG 700 MG8
80ΔΔ7 1:25

MO 7
7 07P 07 700 MG8
8 00ΔD 87 Δ3977 W
80 ΔD MG 00M 00Δ

| | | |
|------------------------------------------------|----------------|----------|
| ISSUED FOR APPROVAL | 11.04.17 | N.K |
| Revision | Date | Initial |
| Status | | |
| PRELIMINARY | | |
| Project | | |
| [Redacted] WANDSWORTH ROAD LONDON SW8 3JD | | |
| Client | | |
| MR [Redacted] | | |
| Drawing Title | | |
| PART GROUND FLOOR PLAN SHOWING UNDERPINNING | | |
| Date | Scale | Drawn by |
| APRIL 2017 | AS SHOWN AT A3 | N.K |
| Project No | Drawing No | Revision |
| SH170203 | 03 | - |

SURREY HILLS
ARCHITECTURAL ENGINEERS LIMITED

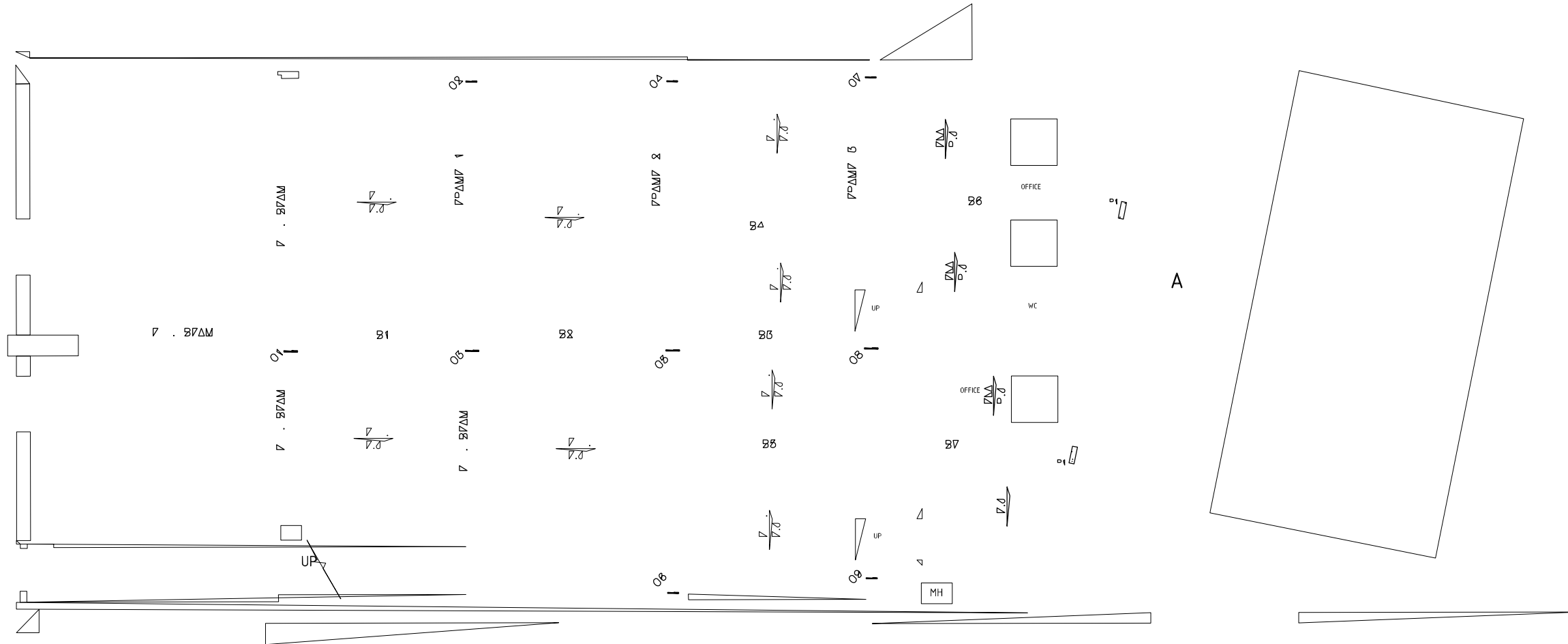
| | |
|----------------------------------------------------------------------------------------------------------------------------------------------------------|-------------------------------------------------------------------------------------------------------------|
| HEAD OFFICE ALEXANDER HOUSE 40A WILBURY WAY HITCHIN SG4 0AP Ph. 01462 510102 info@surreyhillseng.co.uk visit: www.surreyhillseng.co.uk | LONDON OFFICE 10 CONSTANCE STREET LONDON E16 2DQ Ph. 0203 488 2363 info@surreyhillseng.co.uk |
|----------------------------------------------------------------------------------------------------------------------------------------------------------|-------------------------------------------------------------------------------------------------------------|

MO 7

WANDSWORTH ROAD

A

A



GROUND FLOOR PLAN SHOWING
STRUCTURE OVER
SCALE 1:100



| | |
|-------------------|---------------------------------------------|
| 31,32,33 | 2060060 g 070 8275 |
| 34,35 | 2 Mo 180 90 070 8275 W 800070 0 80 047 \ |
| 36,37 | 150 90 070 8275 0 1520050 g 8275 |
| 1,2,3 | 2840089 g 8275 (0 0 07 70007) |
| 001,03,05,08 | 2840089 g 8275 001,03,05,08 W M 70007 |
| 002,04,06,07,09 | 2060060 g 8275 002,04,06,07,09 W M 70007 |
| 7.1 (7000 40 8 8) | 200 50 024 @ 400 0 0 (MA . 8000 4M) |
| 7.2 0.1 | 150 50 024 @ 400 0 0 |
| 001 0M7 (01) | 550 100 215 0770 0.0.0 001 0M7 |

MO 7 :
DO0007 0 40 8 8 00007 M070 8 00007
DO0007 0 40 8 8 00007 0007 00007

ISSUED FOR APPROVAL 11.04.17 N.K
Revision Date Initial

Status
PRELIMINARY

Project
WANDSWORTH ROAD
LONDON SW8 3JD

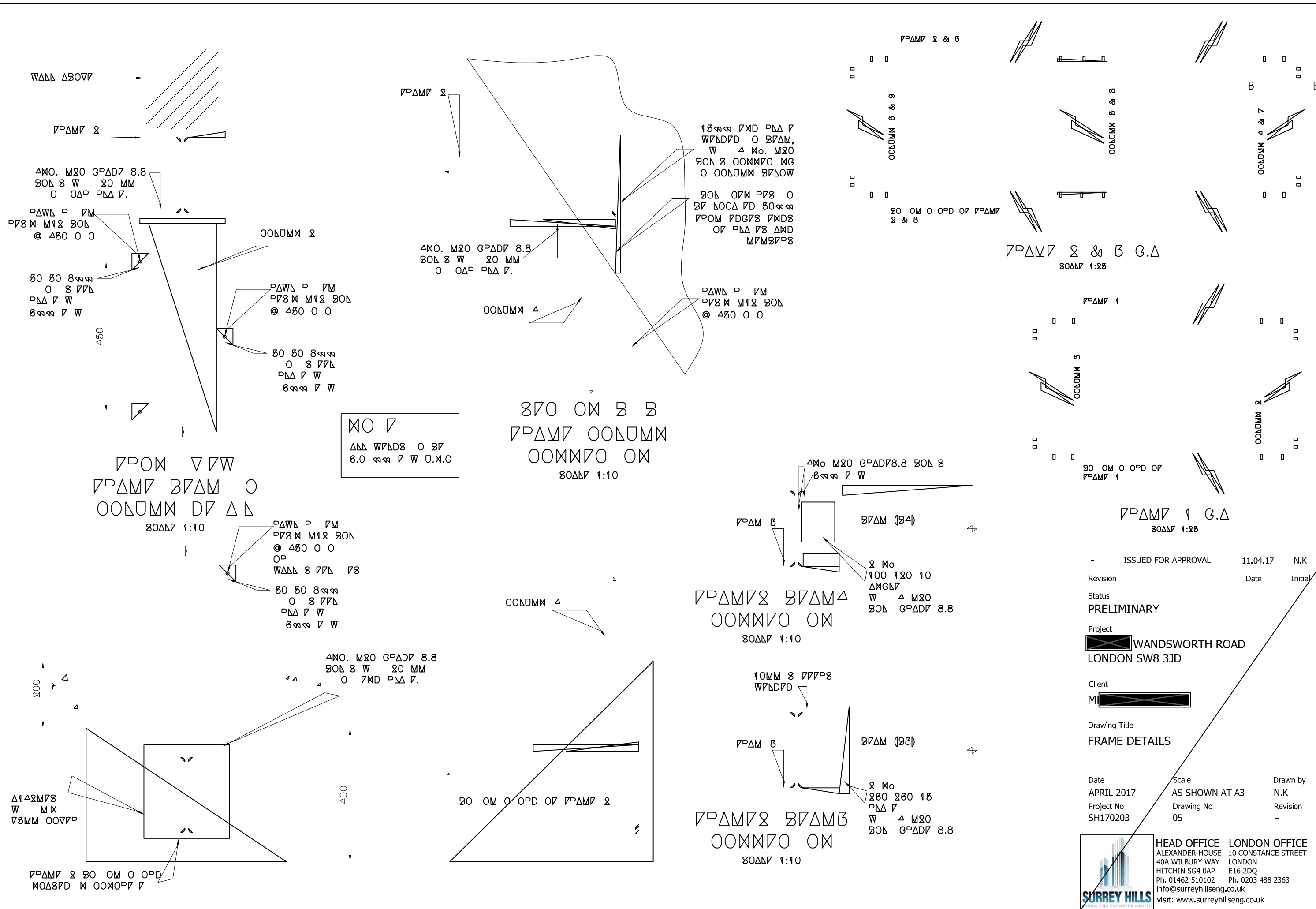
Client
MR

Drawing Title
GROUND FLOOR PLAN SHOWING
STRUCTURE OVER

Date APRIL 2017 Scale AS SHOWN AT A3 Drawn by N.K
Project No SH170203 Drawing No 04 Revision -



HEAD OFFICE LONDON OFFICE
ALEXANDER HOUSE 10 CONSTANCE STREET
40A WILBURY WAY LONDON
HITCHIN SG4 0AP E16 2DQ
Ph. 01462 510102 Ph. 0203 488 2363
info@surreyhillseng.co.uk
visit: www.surreyhillseng.co.uk



MO 7
 ΔΔΔ WFLD8 O SF
 6.0 ඔඔ 7 W U.M.O

ΔMO. M20 G°AD7 8.8
 80L 8 W 20 MM
 O 7MD PΔΔ 7.

18ඔඔ 7MD PΔΔ 7
 WFLD7D O SFΔM,
 W Δ Mo. M20
 80L 8 OOMM7O M3
 O OOLUMM SFLOW

80L O7M 078 O
 SF ΔOOΔ 7D 80ඔඔ
 7°OM 7DQ78 7MD8
 O7 PΔΔ 78 ΔMD
 M7M87°8

PΔWΔ P 7M
 P78 M M12 80L
 @ 480 O O

ΔMO M20 G°AD78.8 80L 8
 8ඔඔ 7 W

7°ΔM78 SFΔMΔ
 OOMM7O OM
 80ΔΔ7 1:10

7°ΔM78 SFΔM8
 OOMM7O OM
 80ΔΔ7 1:10

| | | |
|---------------------|----------|---------|
| ISSUED FOR APPROVAL | 11.04.17 | N.K |
| Revision | Date | Initial |

Status
PRELIMINARY

Project
 WANDSWORTH ROAD
 LONDON SW8 3JD

Client
 M

Drawing Title
FRAME DETAILS

| | | |
|------------|----------------|----------|
| Date | Scale | Drawn by |
| APRIL 2017 | AS SHOWN AT A3 | N.K |
| Project No | Drawing No | Revision |
| SH170203 | 05 | - |


HEAD OFFICE LONDON OFFICE
 ALEXANDER HOUSE 10 CONSTANCE STREET
 40A WILBURY WAY LONDON
 HITCHIN SG4 0AP E16 2DQ
 Ph. 01462 510102 Ph. 0203 488 2363
 info@surreyhillseng.co.uk
 visit: www.surreyhillseng.co.uk