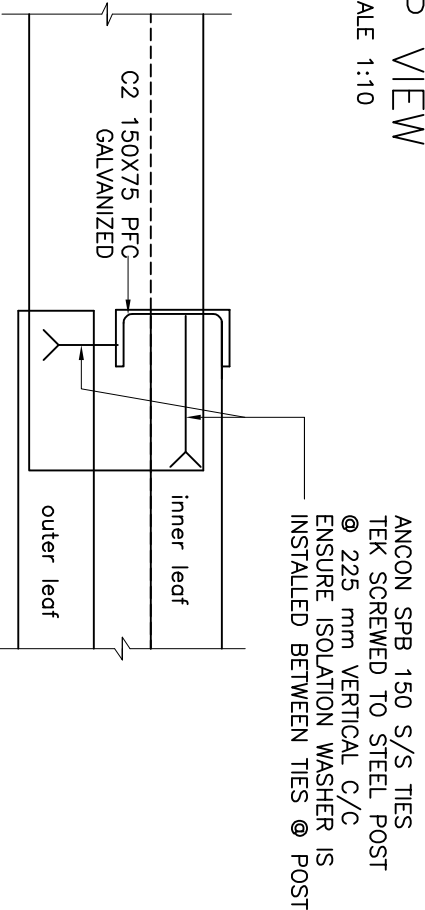
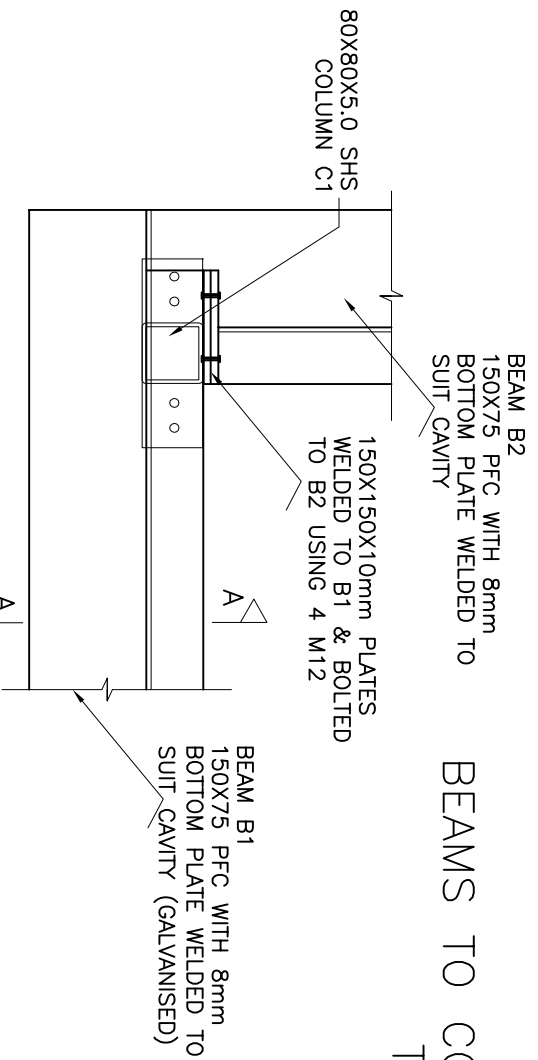


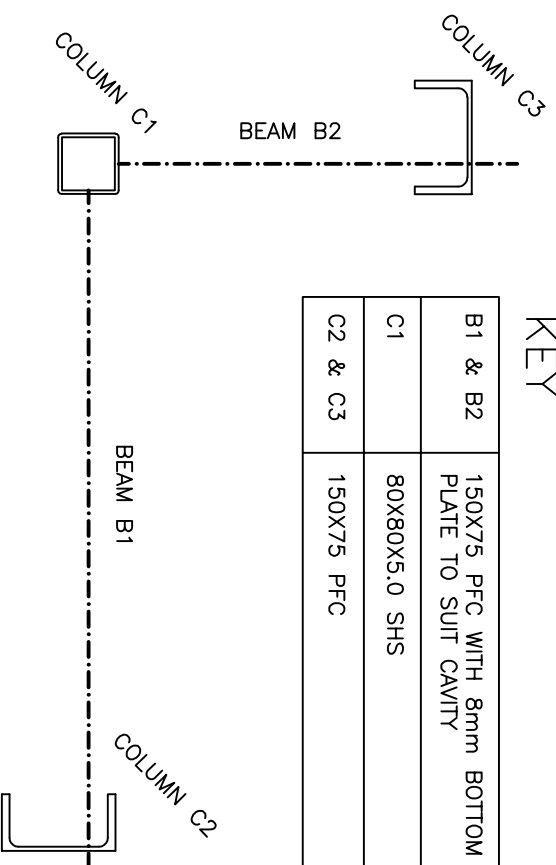
BEAMS TO COLUMNS CONNECTION

TOP VIEW

SCALE 1:10



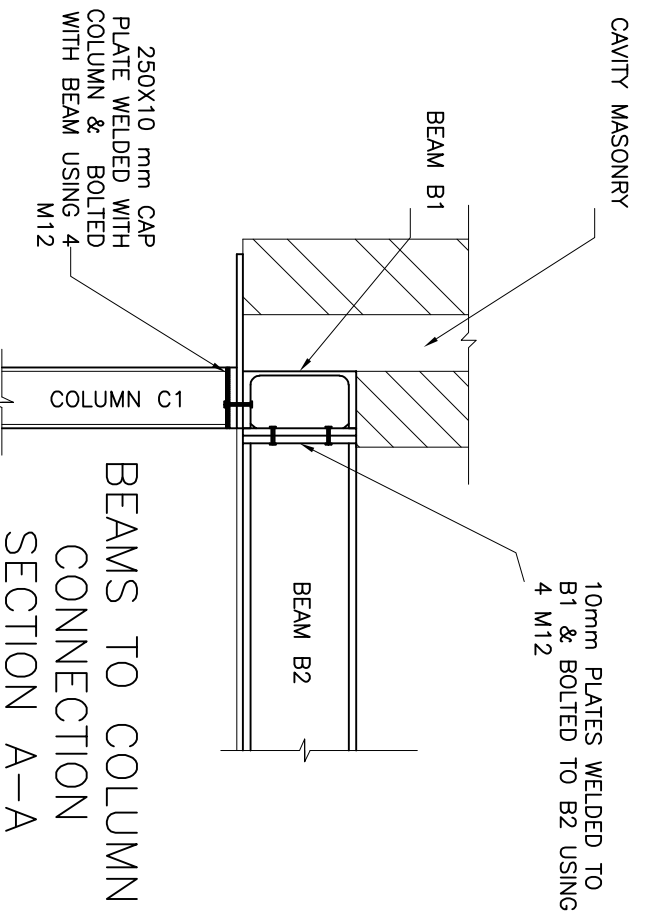
KEY	
B1 & B2	150X75 PFC WITH 8mm BOTTOM PLATE TO SUIT CAVITY
C1	80X80X5.0 SHS
C2 & C3	150X75 PFC



STEEL OVERVIEW

NOT TO SCALE

NOTES
ALL STEEL TO BE GALVANISED

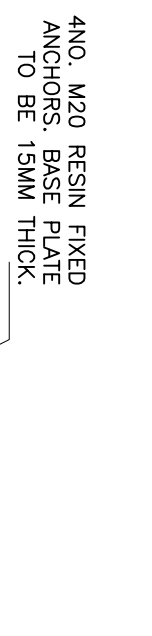


BEAMS TO COLUMN CONNECTION SECTION A-A

SCALE 1:10

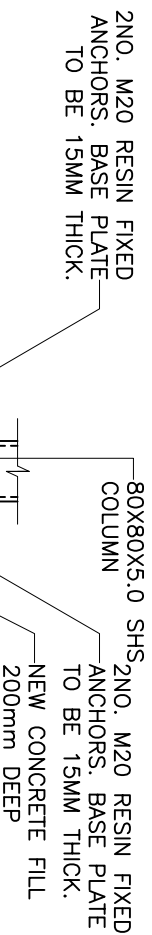
BEAM (B1)/COLUMN(C2) CONNECTION

SCALE 1:10



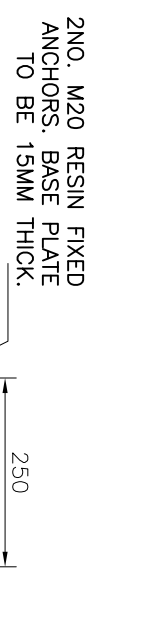
BASE PLATE 100X100X5.0 SHS

SCALE 1:10



BASE PLATE CONNECTION

SCALE 1:10



BASE PLATE 150X75 PFC

SCALE 1:10

PRELIMINARY

Rev	Date	Amendment	By

Client: Mr & Mr
Project: Bedford Road
Letchworth
SG6 4DJ

Title: Connection details

SURREY HILLS CONSULTING ENGINEERS
ALEXANDER HOUSE
40A WILBURY WAY
HITCHIN
HERTS
SG4 0AP
01462510102



Scale: As Shown At A3 Size
Drawn: N.K
Date: Jan 2017
Rev:
Drawing No: SH170107/ 01