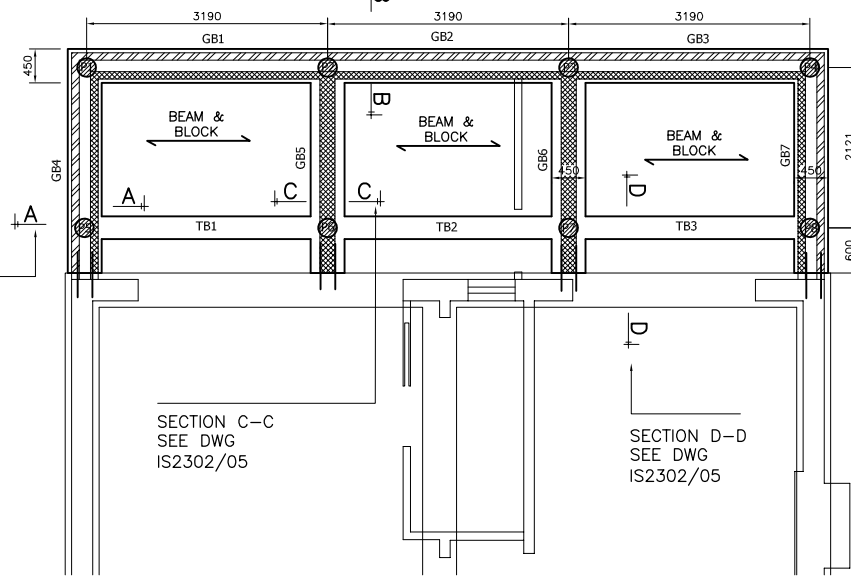


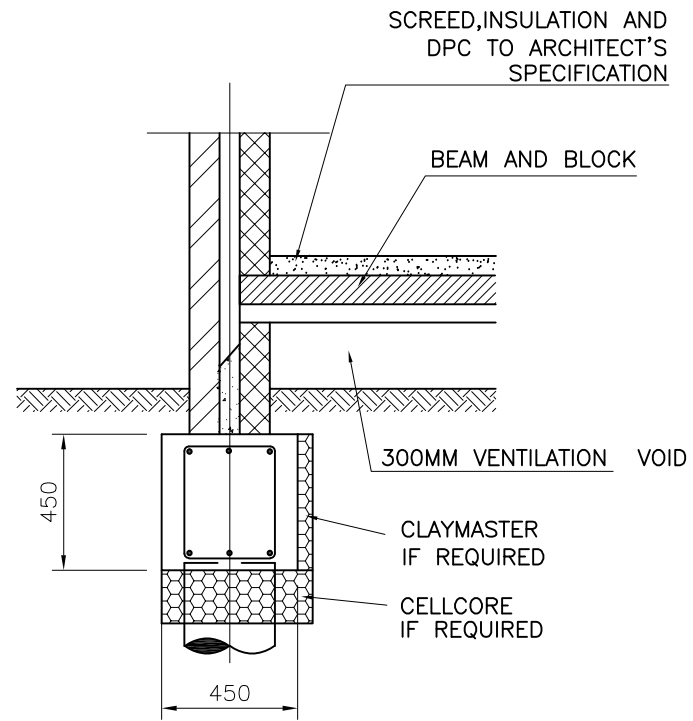
SECTION B-B  
SEE DWG  
IS2302/05

SECTION A-A  
SEE DWG  
IS2302/05

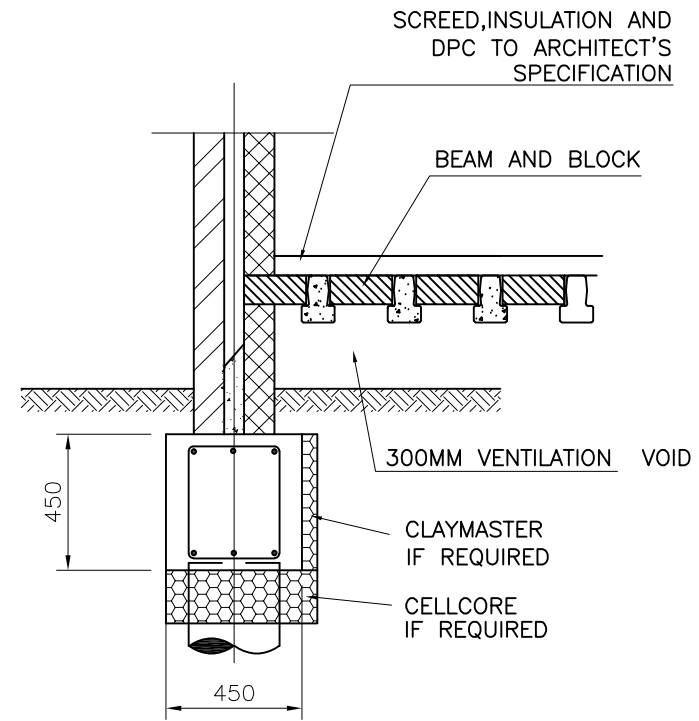
SECTION C-C  
SEE DWG  
IS2302/05

SECTION D-D  
SEE DWG  
IS2302/05

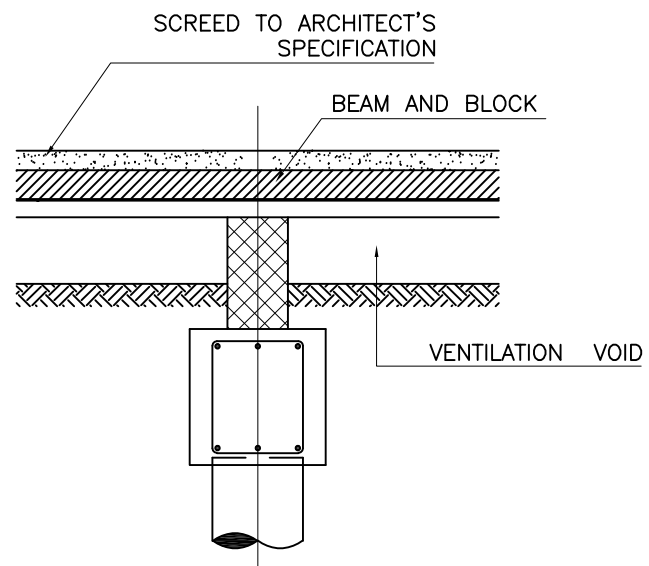




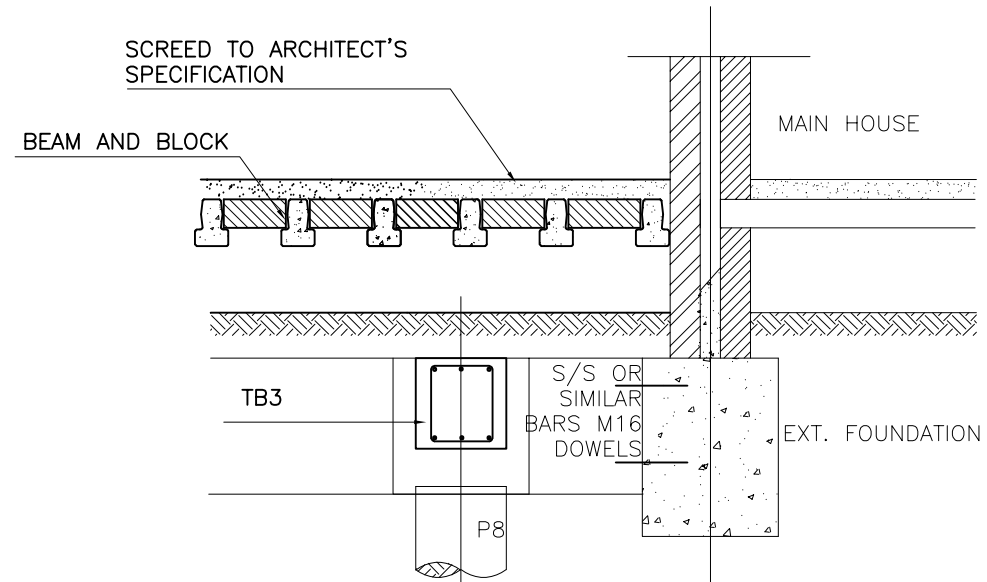
TYPICAL EXTERNAL  
SECTION A-A  
SCALE 1:25



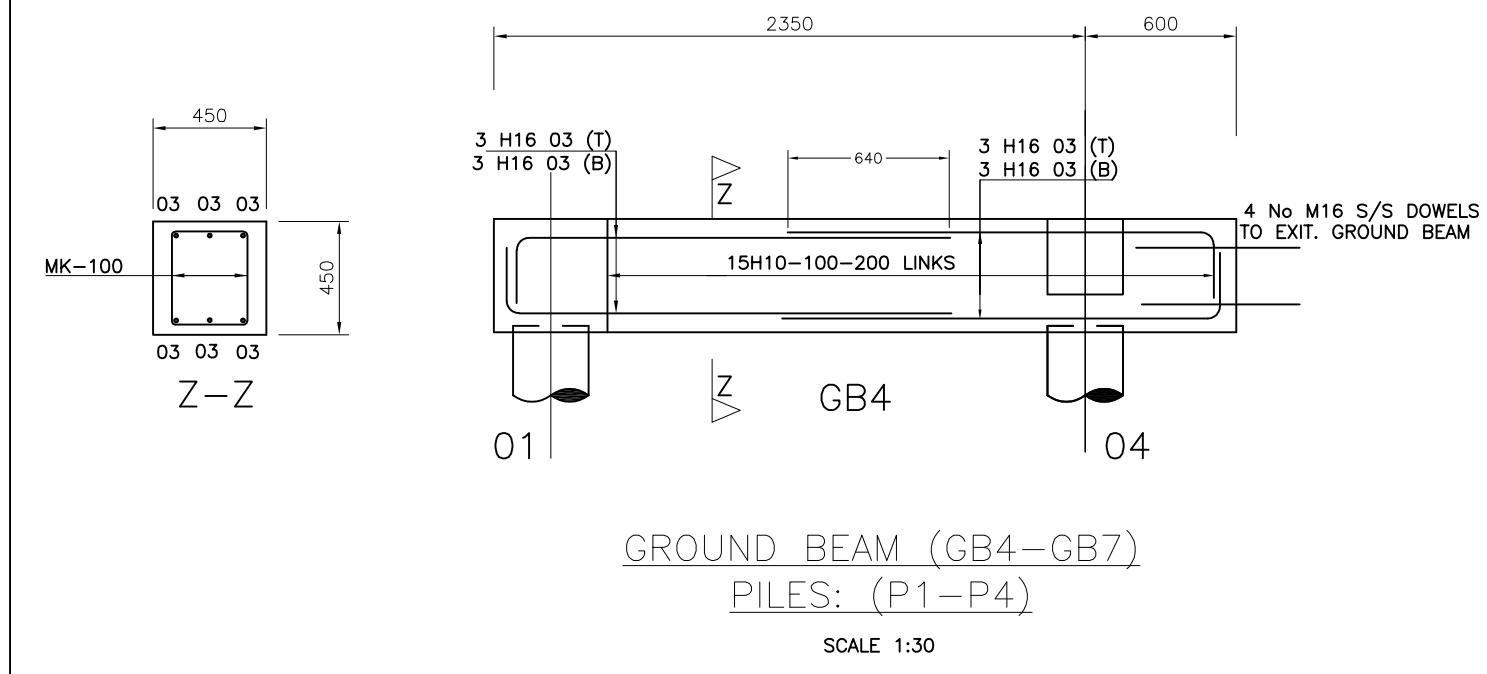
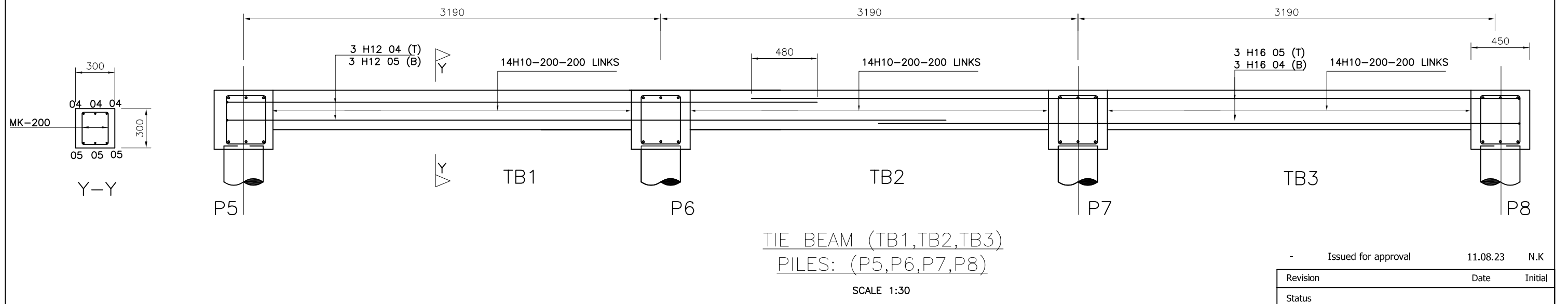
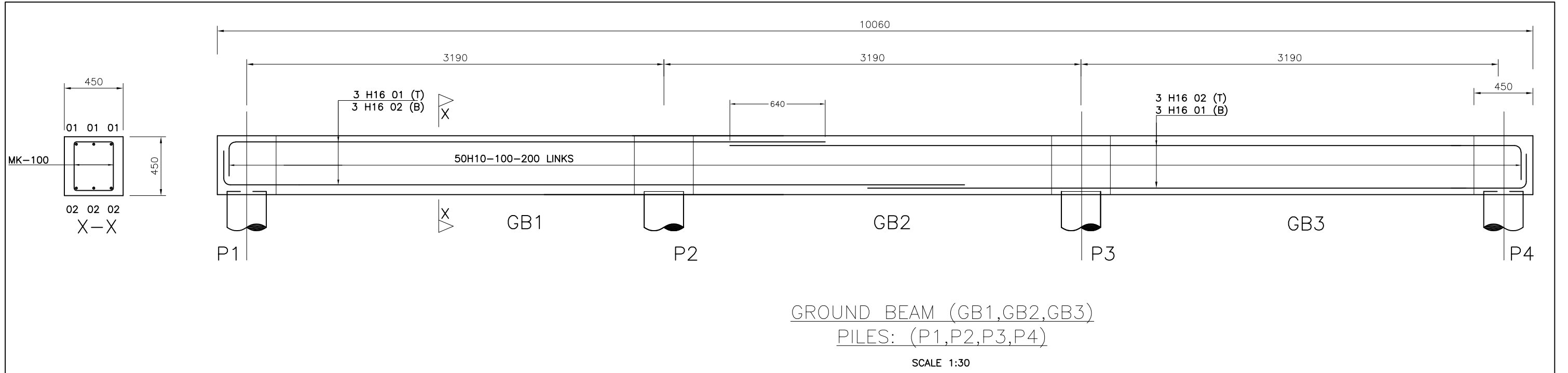
TYPICAL EXTERNAL  
SECTION B-B  
SCALE 1:25



TYPICAL INTERNAL  
SECTION C-C  
SCALE 1:25



TYPICAL  
SECTION D-D  
SCALE 1:25



- Issued for approval 11.08.23 N.K

Revision	Date	Initial
Status	PRELIMINARY	
Project		
Client		
Drawing Title	GROUND BEAMS REINFORCEMENT DETAILS	
Date	Scale	Drawn by
JULY 2023	AS SHOWN AT A3	N.K
Project No	Drawing No	Revision
		-