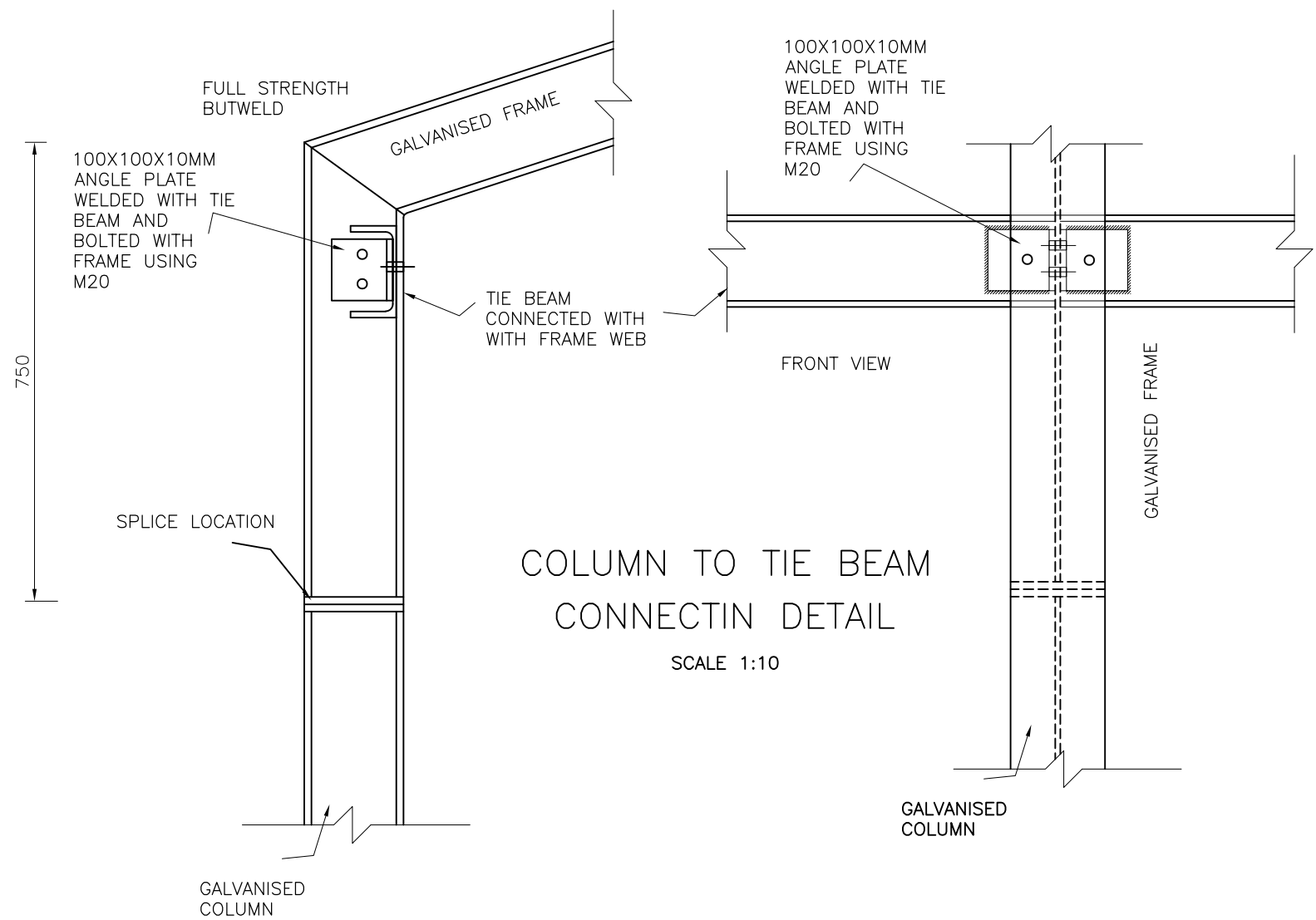
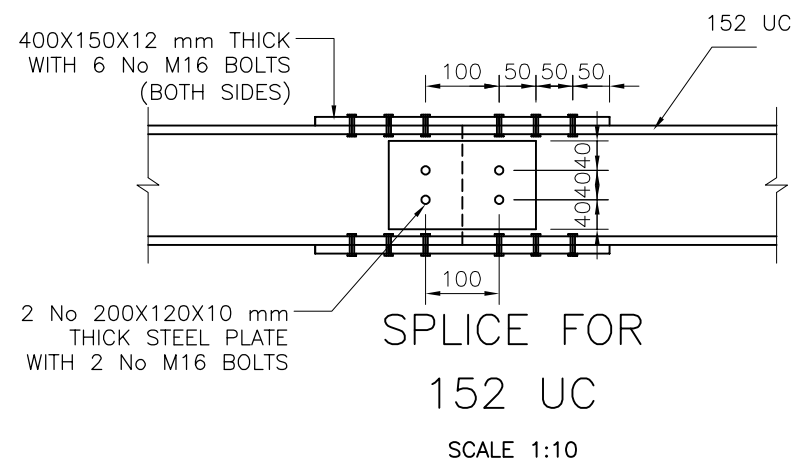


FRAME DETAIL
SCALE 1:25



COLUMN TO TIE BEAM
CONNECTION DETAIL
SCALE 1:10



SPlice FOR
152 UC
SCALE 1:10

PRELIMINARY

Rev	Date	Amendment	By

Client: Dr. Albert Atalla

Project: St. Augustine Coptic Church
Station Approach, Gomshall
GU5 9NU

Title: Frame Details

SURREY HILLS
CONSULTING ENGINEERS
ALEXANDER HOUSE
40A WILBURY WAY
HITCHIN SG4 0AP
01462 510102



Scale: As Shown At A3 Size Rev:

Drawn: N.K Date: March 2017

Drawing No:SH170213/03